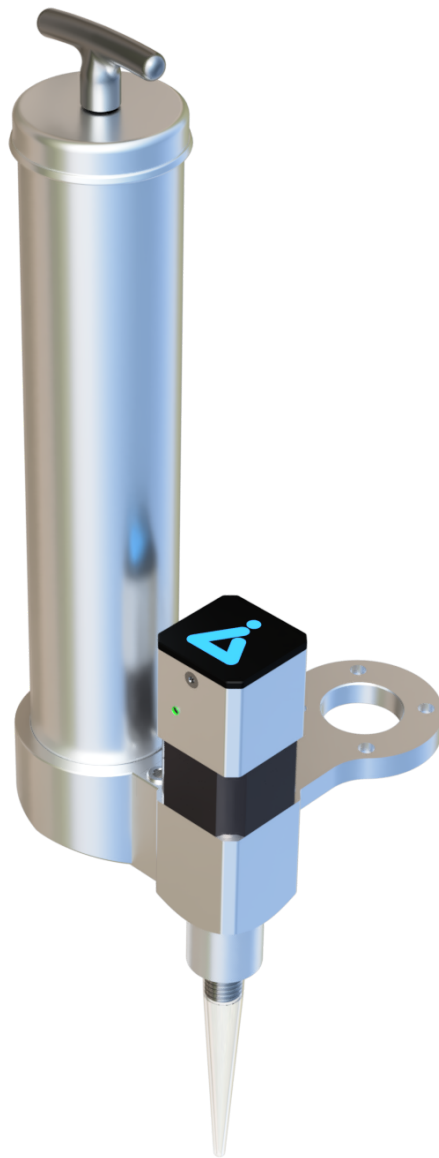


AIM  
ROBOTICS ™  
DISPENSING MADE SIMPLE



**FD400**

TO USE WITH 400ML CARTRIDGES (DIN1284)

**DATA SHEET**

# MAIN FEATURES

**Aim Robotics deliver dispenser solutions within the process application industry.**

Aim Robotics provide a range of dispensing heads that can be mounted to automated collaborative robots to ensure accurate delivery of fluids within a production setup.

Our **Fluid Dispenser FD400** main features are:

## **No air solution**

- Accurate dispensing

## **Easy installation and Setup**

- Up and running in 10 minutes
- Specially designed software
- User friendly interface
- Single connection point to robot

## **Fully integrated with Universal Robots**

- To use with UR3e, UR5e, UR10e and UR16e
  - Single connection utilising the M8 8pin connector
  - Universal Robots Certified
- 
- Dispenses fluids ranging from medium to high viscosity
  - Allows for accurate placement on any shape, surface, or orientation in continuous motion \*
  - Dispensing speed according to robot \*



\*Precision, axis count and maximum operational speed is governed by the robotics solution in use.

# HOW IT WORKS

The FD400 uses a single screw pump dispensing system. The fluid is pumped through the system with an electrical motor removing the use of compressed air. Our URCap guides the user in setup and is easily reprogrammed. Our cleaning cycles helps to prevent fluid build up in the nozzle. In the Aim URCap you can control the dispensing speed.

FD400 Fluid Dispenser uses standard DIN1284 cartridges.

- Typical application: grease NLGI 2-3

With an 310 adaptor it is possible to adapt the FD 400 to use 310 cartridges.

- Typical application: silicone

---

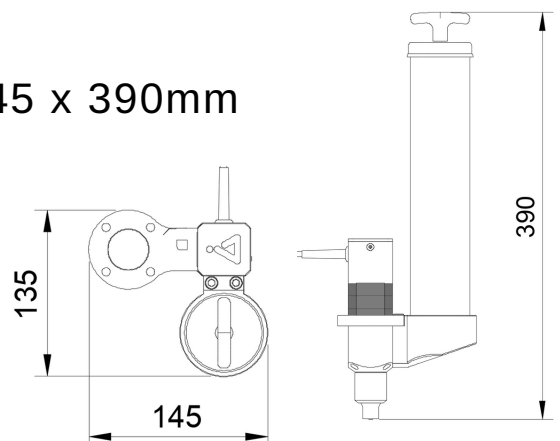
Mechanical interface: ISO 9409-1, type 50-4-M6

Electrical interface: 8-pole M8

Digital interfaces:  
URCap, PolyScope  $\geq 5.5$   
URCap, API  $\geq 1.8$   
RS485  
24V I/O

Weight (without cartridge): 1.7kg

Dimensions: 135 x 145 x 390mm



# AIM ROBOTICS

DISPENSING MADE SIMPLE



**AIM ROBOTICS APS**  
DENMARK

+45 31 51 55 11



AIM-ROBOTICS.COM



SALES@AIM-ROBOTICS.COM

